

SPECIFICATION



D6 LED TRIPROOF LIGHT (Anti-UV / Ammonia for Farm Lighting)

Features



D6
LED Triproof Light
(Anti-UV / Ammonia for Farm Lighting)

- > High Brightness SAN'AN SMD2835 LEDs, BOKE High PF Flicker-free Driver,DIP Switch Power Adjustment Optional;
- > Against Water Pressure of 100bar(1450psi) and Temperature of 80°C;
- > IP69K PMMA IK06 Anti-ammonia/UV /PC IK10 Anti-UV Protection;
- > 120°beam angle;
- > Single or Double Wiring Optional,Linkable Thorough Double End Wiring;
- > Multiple Installations: Suspension, Wall Mounting;
- > Various intelligent control: 1-10V, DALI, Motion sensor,Daylight sensor;
- > Various intelligent control: 1-10V, DALI, Motion sensor,Daylight sensor;
- > Customized Supported for Special Projects;

CE RoHS LM-79 LM-80 SAA

- > High Brightness SAN'AN SMD2835 LEDs, BOKE High PF Flicker-free Driver,DIP Switch Power Adjustment Optional;
- > Against Water Pressure of 100bar(1450psi) and Temperature of 80°C;
- > IP69K PMMA IK06 Anti-ammonia/UV /PC IK10 Anti-UV Protection;
- > 120°beam angle;
- > Single or Double Wiring Optional,Linkable Thorough Double End Wiring;
- > Multiple Installations: Suspension, Wall Mounting;
- > Various intelligent control: 1-10V, DALI, Motion sensor,Daylight sensor;
- > 304/316 Stainless Steel End Cap & Bracket, corrosion-proof;
- > No UV or IR and completely mercury free;
- > L70/B20 @ 54.000h;

Options:

- > Driver: BOKE fixed power driver,DIP switch power adjustable driver;
- > Controls and Dimming: 1-10V Dimming / DALI / Motion Sensor,Daylight Sensor;
- > Plug: European / Australia plug with 0.75mm²/1.5mm²/2.5mm² 3-pins or 5-pins (dimming) cable;
- > Installation : Suspension, Wall Mounting;
- > Wiring: Single or double wiring;

Application

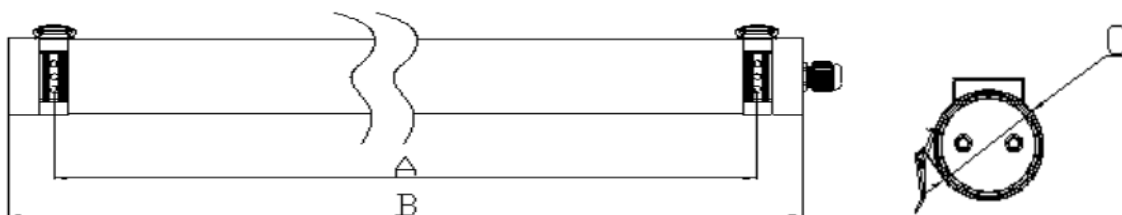
- > Replacement for fluorescent NCF;
- > Cattle farm ;
- > Pig farm ;
- > Industrial and Agricultural applications

Technical Parameters

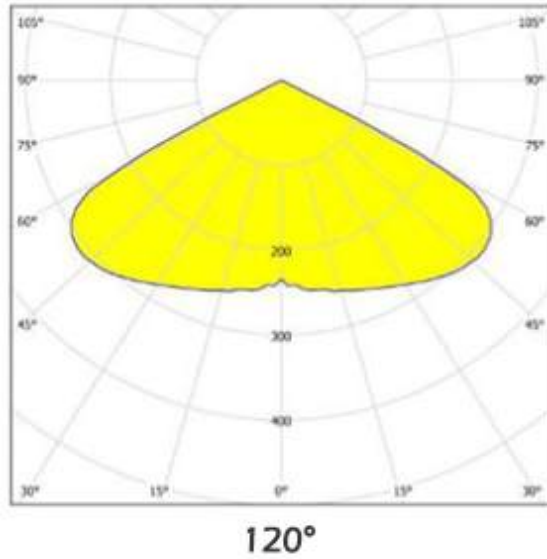
Model No.	DR-TP020-FG2XP	DR-TPL040-FG4XP	DR-TPL040-FG5XP	DR-TPL050-FG5XP
System Watts/W	20W	40W	40W	50W
System Efficiency/LPW	130LPW / 160LPW Optioanl			
Lumen Output/lm	2.600/3.200±5%	5.200/6.400±5%	5.200/6.400±5%	6.500/8.000±5%
Rated Input Voltage/V	AC200~240V 50/60Hz (AC100~277V, 50/60Hz Optional)			
LEDs Light Source	SMD2835			
SDCM	<6			
CCT/K	5000K for Standard (3000K/4000K/5700K/6500K Optional)			
CRI/Ra	>80Ra (>70Ra for Option)			
Power Factor	>0.91			
THD	<10%			
Beam Angle(Optional)	120°			
UGR	<22			
LED Driver	BOKE Fixed Power/ DIP Switch Power Adjustable Optional			
IP Rating	IP65			
IK Level	IK08			
Dimming(Optional)	1-10V, DALI			
Protection	IP69K			
Sensor (Optional)	Daylight sensor/Microwave Sensor			
Protection Class	Class I			
Finishing Color(Optional)	RAL9016 Matt White			
Material	PC+PC (PMMA / Tempered Glass Optional)			
Lifespan/hrs	54.000 Hrs (Ta=30°C@L70)			
Operation Temp/°C	-40°C to + 50°C(-40°F to 122°F)			
Storage Temp/°C	-40°C to + 65°C(-40°F to 149°F)			
Installation	Suspension / Ceiling Mounting Optional			
Certificate	CE(EMC+LVD),RoHS,ENEC ,SAA,RCM Available			

Dimensions

Character/Length	2ft	4ft	5ft
A	525.9mm	1125.9mm	1425.9mm
B	590mm	1190mm	1490mm
C	78.2mm	78.2mm	78.2mm

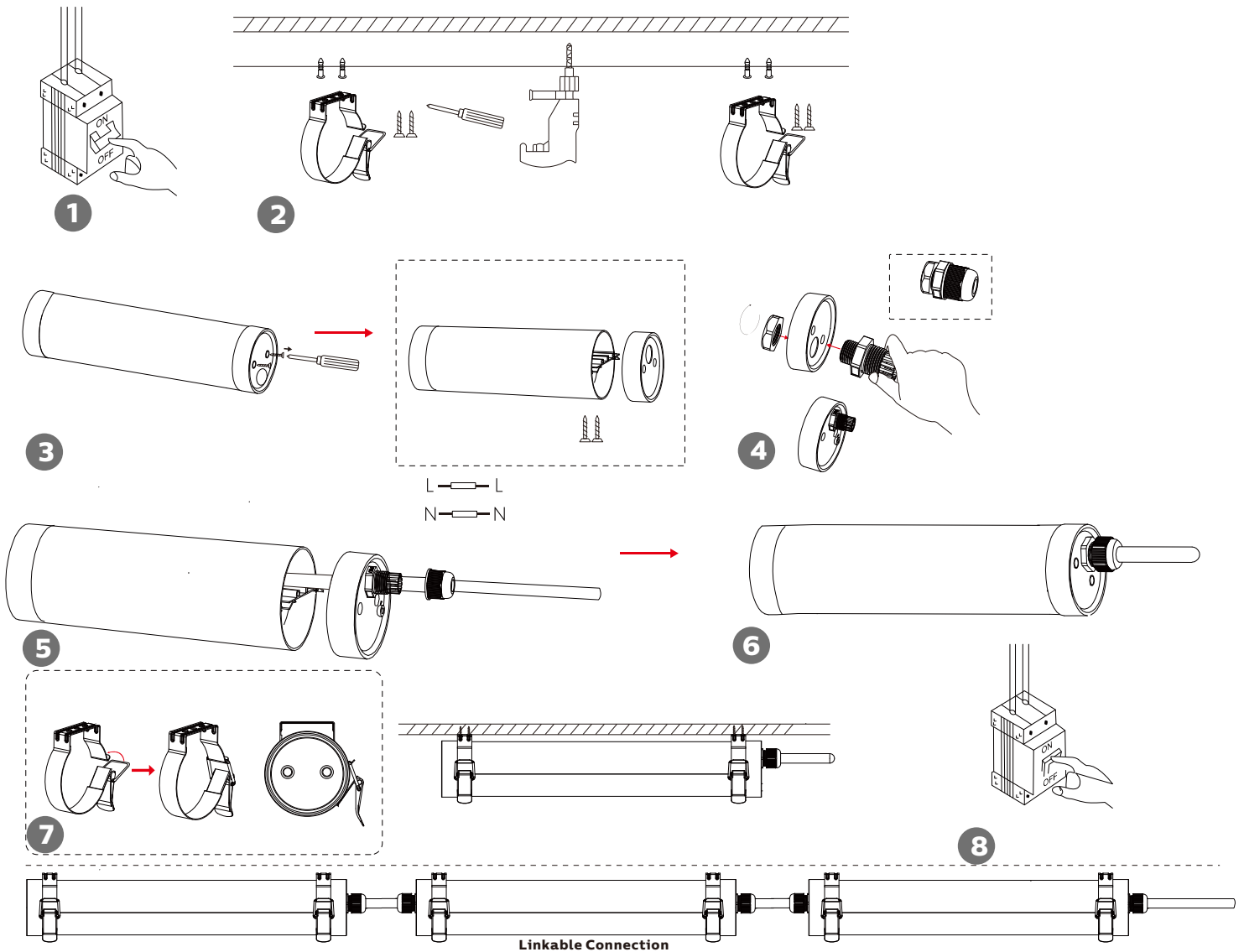


Photometry Diagram



Installation

Ceiling Mounted



INSTALLATION GUIDE

IMPORTANT SAFETY INFORMATION:

Please read all the instructions below before installation

- > Make sure that the supply voltage corresponds to the rated product voltage;
- > The product must be installed by a qualified electrician in accordance with the National Electrical Code and corresponding local codes.
- > If the product is damaged, do not use it!



Turn Off Power Supply



Wiring Diagram



RISK OF PERSONAL INJURY – READ and follow all WARNINGS and installation instructions.
 Keep or give to the owner for future reference.

Risk of cuts: Wear gloves to prevent cuts or abrasions when removing from carton, handling, installing, and maintaining this product.
Risk of electric shock: This product must be installed in accordance with the applicable installation code by a person familiar with the construction and operation of the product and the hazards involved.
Risk of Fire: Minimum 194°F supply conductors. Consult a qualified electrician to ensure correct branch circuit conductor.

DUALWAYS® assumes no responsibility for claims arising out of improper or careless Installation or handling of this product.

Packaging Information

Model No.	Net Weight/Kg	Outer Carton Size/mm	Gross Weight/Kg	QTY"/CTN
DR-TPL020-FG2XP	12.5	670*440*20	13.2	9PCS
DR-TPL030-FG4XP	15.8	1270*360*200	17.5	9PCS
DR-TPL040-FG4XP	16.1	1270*360*200	18.3	9PCS
DR-TPL040-FG5XP	19.1	1570*360*200	20.6	9PCS
DR-TPL050-FG5XP	19.5	1570*360*200	21.4	9PCS

Details Demo

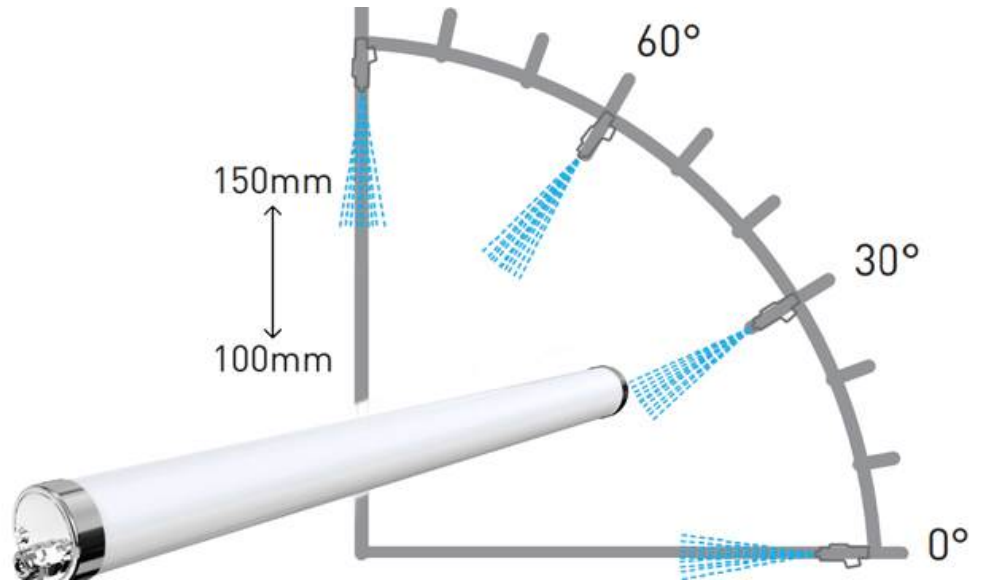
316 Stainless Steel End Cap, corrosion-proof, Strong impact resistance>>>



IP69K PMMA
IK06
Anti-ammonia/U
V /PC IK10
Anti-UV
Protection>>>



Against Water
Pressure of
100bar(1450psi)
and Temperature
of 80°C>>>



Application Reference

